

MS WICU Wall Mounted Intensive Care Unit



Our company manufactures user friendly intensive care units which can be used by hospitals for years without any problems, conforming to the standards and not putting human health at risk with its knowledge and experience.

MedSistem MS WICU Wall Type Intensive Care Unit is designed to be used easily and practically by health personnel and has developable features. Cleaning and maintenance is easy. Because of being tailor made units we can cover different kind of customer needs.

MedSistem MS WICU Wall Type Intensive Care Unit, in combination with high quality materials, fine workmanship, is manufactured in accordance with the requirements of International Standard ISO 13485 Medical and Medical Devices Standard and EN 11197 European Standard.

While Patient Units are manufactured, they are subjected to electrical tests according to EN 60601-1 Standard and maximum security is ensured.

MS WICU Wall Type Intensive Care Unit are available for single, double and triple bed capacities. It can be manufactured as a single piece up to a maximum length of six meters.

MedSistem MS WICU Wall Type Intensive Care Unit can be painted in any color with the color options in RAL code as appropriate.

MedSistem MS WICU Wall Type Intensive Care Unit can integrate DATA and Nurse Call Systems in accordance with your special requirements as a necessity of today. This the unit usage option is increasing.

- **ELECTRICAL SOCKETS**

Electrical sockets on the bedhead units can be customized according to your Customer request in different standards, Schuko, BS, French, US. Bedhead Units are individually tested according to EN ISO 60601-1 standard.

- **LIGHTING**

General (Indirect) light illumination for general ambient lighting. Reading (Direct) light illumination for reading. Alternative plexiglass options: transparent, whitish.

- **GAS OUTLETS**

BS, DIN, and AFNOR standards gas outlets can be used in line with customer requirements.

- **QUALITY**

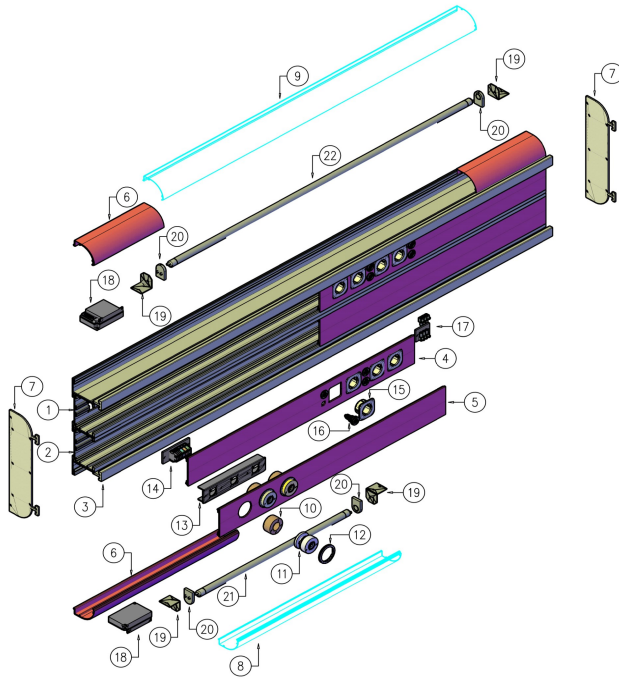
Thanks to the ISO 9001 and ISO 13485 Quality Systems that MedSistem applies, we aim to provide a better service to our valued customers in every way and we are making product development studies accordingly.



CE1984

MS WICU WALL MOUNTED INTENSIVE CARE UNIT

Characteristics



- | | |
|---|---|
| 01 - Electric Duct | 12 - Gaz Socket Mounting Ring |
| 02 - Gas Duct | 13 - Gas Outlet Jigplate |
| 03 - 30x10 BS Medical Rail | 14 - Electrical Connection Terminal Input |
| 04 - Electric Cover | 15 - Electrical Sockets |
| 05 - Gas Cover | 16 - Grounding Node |
| 06 - Rail Cover | 17 - Modular Electrical Connection Terminal |
| 07 - Side Covers | 18 - Electronic Ballast |
| 08 - Reading (Bottom) Lighting Plexiglass Cover | 19 - Fluorescent Connector |
| 09 - General (Top Lighting Plexiglass Cover | 20 - Fluorescent Plug |
| 10 - Gas Socket (Body) | 21 - Reading Lighting Fluorescent |
| 11 - Gas Outlet (Top Track) | 22 - General Lighting Fluorescent |

GENERAL LIGHTING

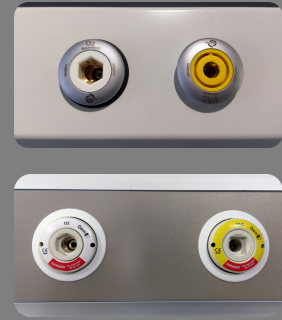
Fluorescent T5 and LED Lighting (4000K)
 1 x 39 T5 Fluoresan
 2 x 39 T5 Fluoresan

READING LIGHTNING

Fluorescent T5 and LED Lighting (4000K)
 1 x 24 T5 Fluoresan
 2 x 24 T5 Fluoresan

MEDICAL GAS OUTLETS

According to your requests BS, DIN, AFNOR and other international standards Medical Gas Outlets can be used on the unit. Installation of your gas outlets, which you supply in the direction of your demands, can also be done in the unit.



ELECTRIC SOCKETS

According to your requests and requests of national or international standarts, various type of electric sockets can be used in MS Bedhead Units. In Europe and Turkey, Type C (CEE 7/16) standard and other international standards such as Type B (Nema 5-15), Type A (Nema 1-15), Type E (CEE 7/4), Type F (CE 7/4), Type G (BS 1363) can also be used. The installation of the electrical outlets that you supply in the direction of your demands can also be fixedto the MS Bedhead Units.



COMPLIANCE WITH STANDARDS

MedSystem Pendant Units are manufactured according to international quality and safety standards. All Bedhead Units are already in compliance with the new European Safety standard EN ISO 11197. MedSystem products are 'CE' certified under the Medical Device Directive 93/42/EEC. Since the Bedhead Units contain only a gas outlet in the sense of critical material, the CE mark of the gas outlet manufacturer is valid.

MEDSYSTEM QUALITY CERTIFICATE



Friendly, Flexible and Functional Solutions by MedSystem

MedSystem Medical and Technical Equipment Gas Systems Industry and Trade Limited Company.

Web : www.medsistem.com.tr
 E-Mail : info@medsistem.com.tr

Serifali Mahallesi, Hattat Sokak
 PK: 34775 No: 21 Medsistem İş Merkezi
 Dudullu — Ümraniye
 İSTANBUL / TÜRKİYE

Phone : +90 216 415 56 60 (pbx)
 Fax : +90 216 415 32 24

www.medsistem.com.tr

MedSystem reserves the right to make changes without notice in design, specifications and models. The only warranty MedSystem makes is the Express written warranty extended on the sale or rental of its products.

© 2019 MedSystem, ALL RIGHTS RESERVED